



HENDI
FOOD SERVICE EQUIPMENT

User manual

PROOFER



Item: 225967
225981

You should read this user manual carefully
before using the appliance



READ MANUAL

Keep this manual with the appliance.
Diese Gebrauchsanweisung bitte beim Gerät aufbewahren.
Bewaar deze handleiding bij het apparaat.
Zachowaj instrukcję urządzenia.
Gardez ces instructions avec cet appareil.
Conservate le istruzioni insieme all'apparecchio.
Păstrați manualul de utilizare alături de aparat.
Хранить руководство вместе с устройством.



INDOOR

For indoor use only.
Nur zur Verwendung im Innenbereich.
Alleen voor gebruik binnenshuis.
Do użytku wewnątrz pomieszczeń.
Pour l'usage à l'intérieur seulement.
Destinato solo all'uso domestico.
Numai pentru uz casnic.
Использовать только в помещениях.



FOOD CONTACT



CE

INDEX

1. TECHNICAL SERVICE
2. GENERAL WARNINGS
3. TECHNICAL SPECIFICATIONS
4. INSTRUCTIONS FOR THE INSTALLER
5. USE INSTRUCTIONS (FOR THE USER)
6. RESIDUAL RISKS (FOR THE USER)
7. HOW TO USE THE CONTROL PANEL
8. ROUTINE CLEANING AND MAINTENANCE
9. TECHNICAL ASSISTANCE
10. INFORMATIONS TO THE CONSUMERS
11. THE WARRANTY

Dear Customer

Thank you for purchasing this Hendi appliance. Before using the appliance for the first time, please read this manual carefully, paying particular attention to the safety regulations outlined below.

Safety regulations

- This appliance is intended for commercial use only and must not be used for household use.
- The appliance must only be used for the purpose for which it was intended and designed. The manufacturer is not liable for any damage caused by incorrect operation and improper use.
- Keep the appliance and electrical plug away from water and any other liquids. In the event that the appliance should fall into water, immediately remove plug from the socket and do not use until the appliance has been checked by a certified technician. Failure to follow these instructions could cause a risk to lives.
- Never attempt to open the casing of the appliance yourself.
- Do not insert any objects in the casing of the appliance.
- Do not touch the plug with wet or damp hands.
- Danger of electric shock! Do not attempt to repair the appliance yourself. In case of malfunctions, repairs are to be conducted by qualified personnel only.
- Never use a damaged appliance! Disconnect the appliance from the electrical outlet and contact the retailer if it is damaged.
- Warning! Do not immerse the electrical parts of the appliance in water or other liquids. Never hold the appliance under running water.
- Regularly check the power plug and cord for any damage. If the power plug or power cord is damaged, it must be replaced by a service agent or similarly qualified persons in order to avoid danger or injury.
- Make sure the cord does not come in contact with sharp or hot objects and keep it away from open fire. To pull the plug out of the socket, always pull on the plug and not on the cord.
- Ensure that the cord (or extension cord) is positioned so that it will not cause a trip hazard.
- Always keep an eye on the appliance when in use.
- Warning! As long as the plug is in the socket the appliance is connected to the power source.
- Turn off the appliance before pulling the plug out of the socket.
- Never carry the appliance by the cord.
- Do not use any extra devices that are not supplied along with the appliance.
- Only connect the appliance to an electrical outlet with the voltage and frequency mentioned on the appliance label.
- Connect the power plug to an easily accessible electrical outlet so that in case of emergency the appliance can be unplugged immediately. To completely switch off the appliance pull the power plug out of the electrical outlet.
- Always turn the appliance off before disconnecting the plug.
- Never use accessories other than those recommended by the manufacturer. Failure to do so could pose a safety risk to the user and could damage the appliance. Only use original parts and accessories.
- This appliance is not intended for use by persons (including children) with reduced physical, sensory or mental capabilities, or lack of experience and knowledge.
- This appliance must not be used by children under any circumstances.
- Keep the appliance and its cord out of reach of children.
- Always disconnect the appliance from the mains if it is left unattended or is not in use, and before assembly, disassembly or cleaning.
- Never leave the appliance unattended during use.

1. Technical service

A technical check-up once or twice a year helps prolong the life of the appliance and guarantees better operation. Make sure that assistance is carried out solely and exclusively by qualified personnel. For any spare parts orders or for any information about the appliance, always mention the serial number and model (data indicated on the "technical data" plate at the rear).

2. General warnings

Very important!: keep this instruction book together with the appliance for future consultation.

These warnings were drafted for your safety and for that of others. Please read them carefully before installing or using the appliance:

- The appliance is intended for professional use and must be utilised by qualified personnel trained to use it.
- Any modification which may be necessary on the electrical system to enable installation of the appliance, must be carried out solely by competent personnel.
- It is dangerous to modify or attempt to modify the characteristics of this appliance.
- Never clean the appliance with direct water jets, because, if any water enters, it could limit the machine's safety .
- Before doing any maintenance or cleaning jobs, disconnect the appliance from the electrical mains and allow it to cool.
- Do not attempt to carry out the periodic controls or any repairs by yourself. Contact the nearest Service Centre and use only original spare parts.

N.B.: Improper or incorrect use and failure to observe the installation instructions shall release the manufacture from all responsibility. In this connection, the directives in the "POSITIONING" paragraph must be strictly observed.

3. Technical specifications

Appliance model	225967	225981
Dimensions of appliance (mm) LxDxH	795x655x(H)835	935x910x(H)800
Weight of appliance (Kg)	43,6	57,7
Heating power (kW)	2,4	2,4
Power supply voltage (V~)	230 V (Hz)	
Appliance class	I	
Power cable diameter	3x1,5 mm ²	
Type of cable	H07RN-F	
Electric cable connection	Type F	

The "technical data" plate is positioned on the rear panel of the appliance.

4. Instructions for the installer

The following instructions are aimed at the qualified installer, to ensure that he carries out the installation, adjustment and maintenance operations as correctly as possible and according to current legal regulations. Any operation must be performed with electrical power cut to the appliance.

Before using the appliance, carefully remove the special adhesive film protecting the parts in stainless steel. Do not leave any glue residues on the surfaces. If necessary, remove them at once, with an appropriate solvent.

Positioning - Position the appliance perfectly horizontally (the feet are adjustable) at a distance of not less than 10 cm from the side and rear walls, to enable natural ventilating air to circulate freely around it. The appliance is not suitable for embedding.

Electrical connection - The appliance must be connected to the electrical mains according to current legal regulations. Before making the connection, make sure of the following:

- the voltage and frequency values of the power supply system match the values on the "technical data" plate affixed on the appliance;
- the limiting valve and the system are able to support the appliance's load (see the "technical data" plate);
- **the power supply system has an adequate earth connection according to current legal regulations;**
- a single-pole switch with minimum between-contacts aperture of the overvoltage category III (4000 V), sized to the load and conforming to current legal regulations, is fitted between the appliance and the mains in the direct connection to the mains;
- the single-pole switch used for connection is easy to reach when the appliance is installed;
- **the yellow/green earth wire is not interrupted by the switch;**
- the power supply, when the appliance is operating, must not deviate from the rated voltage value by $\pm 10\%$.
- **if the supply cable is damaged then it must be replaced by the manufacturer or by your technical support or by a qualified person to avoid any risk.**

Connection of power cable - The terminal board is on the rear panel of the appliance. Open the terminal board cover by obtaining leverage with a screwdriver on the two side fins. Loosen the cable gripper screw and allow the cable to pass through it. Arrange the conductors so that the earth conductor is the last to detach from its terminal if the cable goes into a state of faulty traction. Connect the phase conductor to the terminal marked with the letter "L", the neutral conductor to the terminal marked with the letter "N" and the earth conductor to the terminal marked with the symbol \perp . Tighten the ring-nut of the cable gripper and close the terminal board cover. The appliance must be connected to an **equipotential system** whose efficiency must first be checked according to current legal regulations. This connection must be made between different appliances by using the appropriate terminal marked with the symbol ∇ . The equipotential conductor must have a minimum diameter of 2,5 mm². The equipotential terminal is at the rear of the appliance.

Connection to water mains (only model 225981) -The appliance must be supplied with softened drinking water with a hardness value of 0,5°F to 3°F (**It is obligatory to use water softener to reduce the formation of scaling inside the proofing chamber**). The water pressure must be in the range of 100 to 200 kPa (1,0 – 2,0 bar).

The connection to the water supply is done using the 3/4" threaded solenoid valve on the back (at the bottom) of the appliance, fitting a mechanical filter with a cut-off cock (before connecting the filter, allow a certain amount of water to flow out in order to remove any waste from the pipe).

5. Use instructions (for the user)

This appliance is not intended for use by persons (including children) with reduced physical, sensory or mental capabilities, or lack of experience and knowledge. Unless they have been given supervision or instruction concerning use of appliance by a person responsible for their safety.

Children should be supervised to ensure that they do not play with the appliance.

For the first use, we advise you to run the appliance load-free for at least 15-20 minutes. In this way, any unpleasant smells due to residual work grease are eliminated.

This appliance must be used solely for the purpose for which it was expressly designed, i.e. heating and leavening frosted foods.

Do not enter salt or salty food in proofing chamber. Salt can irreparably damage the appliance. Manufacturer denies any responsibility for damages.

6. Residual risks (for the user)

Keep away from the machine personnel not trained to use it.

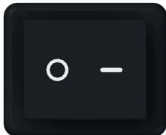


The appliance contains electrical parts and must never be washed with a jet of water or steam.

The appliance is electrically connected: before attempting any cleaning operation, cut power to the appliance.

Do not use the door handle to move the appliance (the glass panel may break).

7. How to use the control panel

Key to the symbols on the control panel:

ON/OFF" switch key To electrically power up the appliance	
Temperature knob To vary the heating temperature for values from 30°C and 50°C.	
Humidifier button (only model 225981) It allows humidity to enter the proofing chamber when it is already warmed.	

Control thermostat indicator light - The indicator light of the control thermostat goes OFF whenever the selected temperature is reached in the leavening compartment. It lights up again when the thermostat is tripped to re-establish this temperature.

8. Routine cleaning and maintenance (WARNING: Cut power to the appliance before every operation)

General cleaning - Clean the appliance when it is cool To clean the steel parts, do not use products containing chlorine (sodium hypochlorite, hydrochloric acid, etc) even if diluted. Use specific off-the-shelf products or a little hot vinegar. Rinse thoroughly with water and dry with a soft cloth. Clean the glass door with hot water only, and do not use rough cloths. Do not wash the appliance with direct jets of water, because if water enters, this could limit the appliance's safety. Do not use corrosive substances (e.g. hydrochloric acid) to clean the floor near to where the appliance could be located: the vapours released by this acid could corrode and damage the appliance's outer housing in steel.

9. Technical assistance

Before leaving the factory, the appliance was completely regulated and tested by expert specialised personnel to guarantee the best operating results.

All repairs and settings must be performed with utmost care and attention, respecting national safety regulations in force. Always contact your retailer or our nearest Service Centre, giving details of the problem, the appliance model and the serial number (on the rating plate on the rear panel).

10. Informations to the consumers

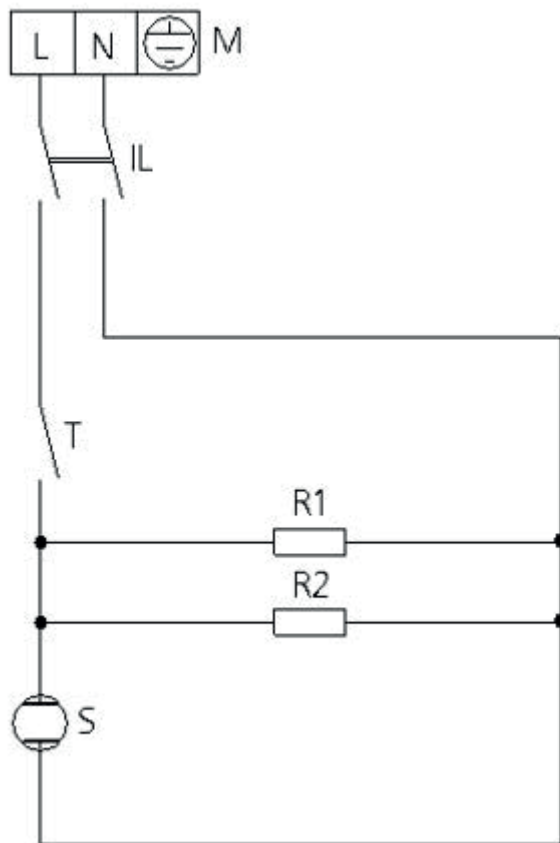
Further to Directive 2002/96/EC, the symbol of the crossed rubbish skip on the appliance means that at the end of its life, the product must be disposed of separately from the other rubbish. The user must hand the appliance to a specialised waste collection centre for electric and electronic equipment.

The separate collection of the rubbish and subsequent treatment, recovery and disposal help to produce other equipment using recycled materials, reducing the negative effects on the environment and public health, which would be caused by incorrect management of the rubbish.

Should the user dispose of the product abusively, administrative sanctions would be applied.

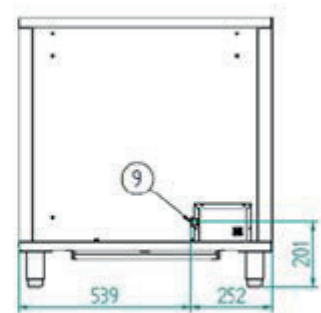
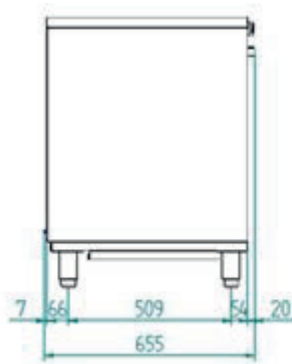
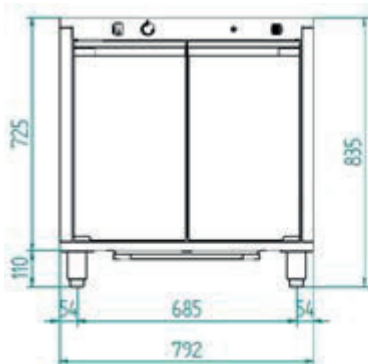


225967

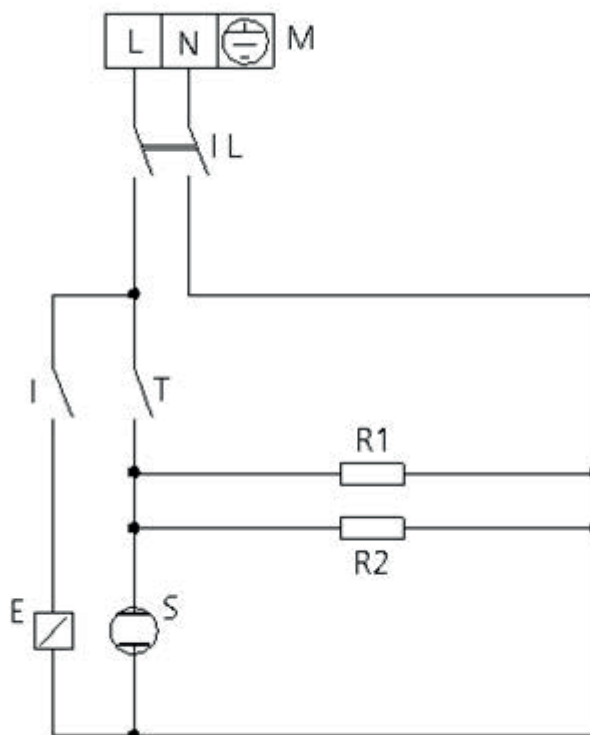


Key

- | | | | |
|----|----------------------|-------|----------------------------|
| M | Power terminal board | S | Thermostat indicator light |
| IL | Power line switch | R1-R2 | Heating elements |
| T | Control thermostat | 9 | Electric cable |

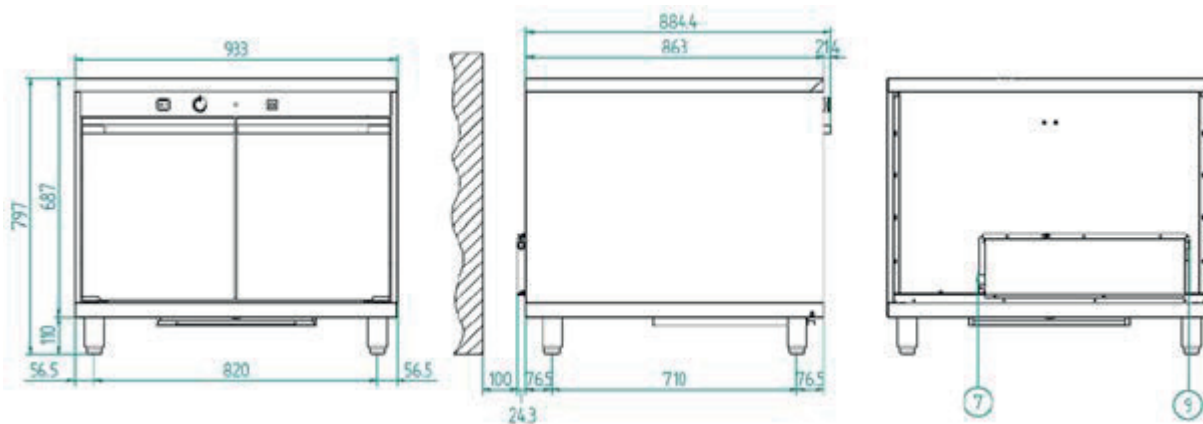


225981



Key

- | | | | |
|----|---------------------------|-------|----------------------------|
| M | Power terminal board | S | Thermostat indicator light |
| IL | Power line switch | R1-R2 | Heating elements |
| T | Control thermostat | I | Humidifier switch |
| E | Humidifier solenoid-valve | 9 | Electric cable |
| 7 | Water inlet | | |



11. The warranty

Any defect affecting the functionality of the appliance which becomes apparent within one year after purchase will be repaired by free repair or replacement provided the appliance has been used and maintained in accordance with the instructions and has not been abused or misused in any way. Your statutory rights are not affected. If the appliance is claimed under warranty, state where and when it was purchased and include proof of purchase (e.g. receipt).

In line with our policy of continuous product development we reserve the right to change the product, packaging and documentation specifications without notice.

Discarding & Environment

At the end of the life of the appliance, please dispose of the appliance according to the regulations and guidelines applicable at the time.

Throw packing materials like plastic and boxes in the appropriate containers.



H E N D I
FOOD SERVICE EQUIPMENT

Hendi B.V.

Steenoven 21
3911 TX Rhenen, The Netherlands
Tel: +31 (0)317 681 040
Fax: +31 (0)317 681 045
Email: info@hendi.eu

Hendi Polska Sp. z o.o.

ul. Magazynowa 5
62-023 Gądkki, Poland
Tel: +48 61 6587000
Fax: +48 61 6587001
Email: info@hendi.pl

Hendi Food Service Equipment GmbH

Gewerbegebiet Ehring 15
5112 Lamprechtshausen, Austria
Tel: +43 (0) 6274 200 10 0
Fax: +43 (0) 6274 200 10 20
Email: office.austria@hendi.eu

Hendi Food Service Equipment Romania S.R.L.

Str. Zizinului nr. 106A, Complex Duplex 3 Hala G4
Brasov 500407 RO, Romania
Tel: +40 268 320330
Fax: +40 268 320335
Email: office@hendi.ro

Hendi HK Ltd.

1603-5, Tower II, Enterprise Square
9 Sheung Yuet Road, Kowloon Bay, Hong Kong
Tel: +852 2801 5019
Fax: +852 2801 5057
Email: info-hk@hendi.eu

Find Hendi on internet:

www.hendi.eu
www.facebook.com/HendiFoodServiceEquipment
www.linkedin.com/company/hendi-food-service-equipment-b.v.
www.youtube.com/HendiEquipment

- Changes, printing and typesetting errors reserved.
- Änderungen und Druckfehler vorbehalten.
- Wijzigingen en drukfouten voorbehouden.
- Producent zastrzega sobie prawo do zmian
oraz błędów drukarskich w instrukcji.

- Variations et fautes d'impression réservés.
- Errori di cambiamenti, di stampa e di impaginazione riservati.
- Drepturi rezervate cu privire la modificări și greșeli de imprimare.
- Изменения, печати и верстки ошибки защищены.